

Technical data sheet



Product features

Tilting bratt pan gas

Model	SAP Code	00007397
--------------	-----------------	----------



- Bottom material: Steel
- Bottom thickness: 12.00
- Basin volume [l]: 80
- Usable volume [l]: 80
- Ignition: Piezo + Eternal Flame
- Tilting: Motorised
- Filling: Mechanical cock
- Type of pan: Tilting
- Basin shape: Practically shaped bathtub spout to minimize spillage
- Basin dimensions [mm x mm x mm]: 721 x 564 x 225

SAP Code	00007397	Power gas [kW]	22.000
Net Width [mm]	800	Type of gas	Natural gas, propane butane
Net Depth [mm]	900	Bottom material	Steel
Net Height [mm]	900	Basin volume [l]	80
Net Weight [kg]	162.00	Usable volume [l]	80
Power electric [kW]	0.120	Tilting	Motorised

Technical data sheet



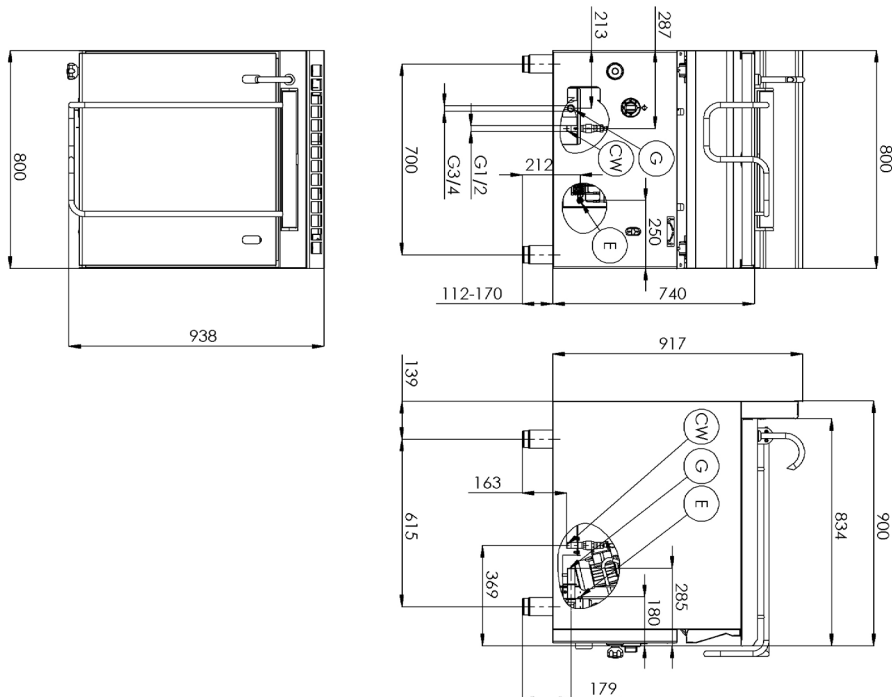
Technical drawing

Tilting bratt pan gas

Model

SAP Code

00007397



Technical data sheet



Technical parameters

Tilting bratt pan gas

Model

SAP Code

00007397

1. SAP Code:

00007397

2. Net Width [mm]:

800

3. Net Depth [mm]:

900

4. Net Height [mm]:

900

5. Net Weight [kg]:

162.00

6. Gross Width [mm]:

840

7. Gross depth [mm]:

1160

8. Gross Height [mm]:

970

9. Gross Weight [kg]:

182.00

10. Device type:

Gas unit

11. Construction type of device:

Stationary

12. Power electric [kW]:

0.120

13. Power gas [kW]:

22.000

14. Ignition:

Piezo + Eternal Flame

15. Type of gas:

Natural gas, propane butane

16. Exterior color of the device:

Stainless steel

17. Material:

AISI 304 top plate, AISI 430 cladding

18. Worktop material:

AISI 304

19. Basin volume [l]:

80

20. Basin dimensions [mm x mm x mm]:

721 x 564 x 225

21. Volume capacity of the container [l]:

80.00

22. Maximum device temperature [°C]:

300

23. Minimum device temperature [°C]:

50

24. Safety thermocouple:

Yes

25. Adjustable feet:

Yes

26. Tilting:

Motorised

27. Bottom thickness:

12.00

28. Bottom material:

Steel

Technical data sheet



Technical parameters

Tilting bratt pan gas

Model

SAP Code

00007397

29. Type of pan:

Tilting

32. Basin shape:

Practically shaped bathtub spout to minimize spillage

30. Usable volume [l]:

80

33. Water filling type:

Cold

31. Filling:

Mechanical cock